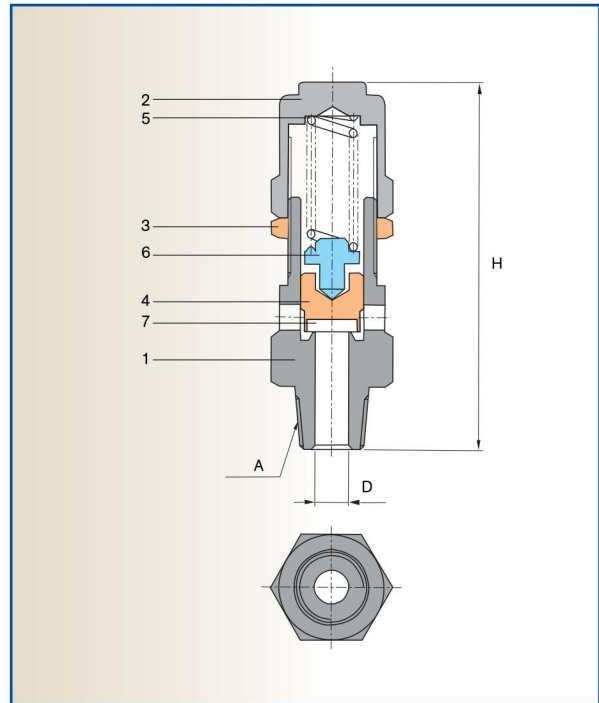
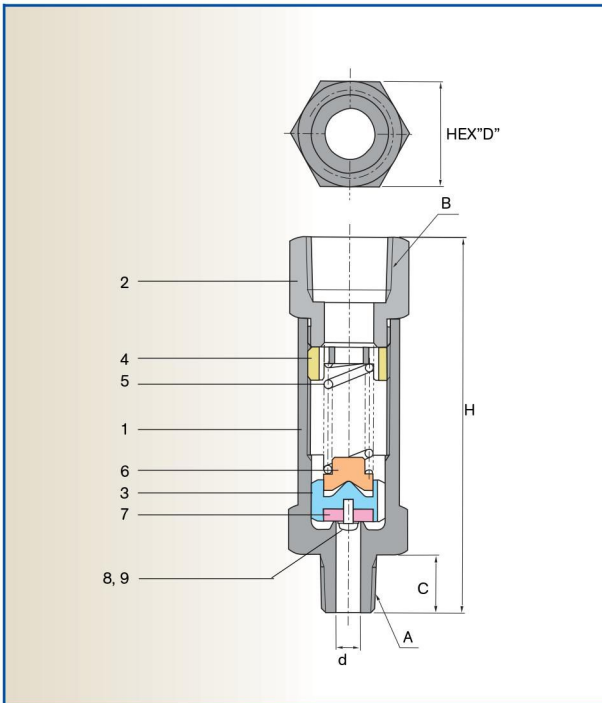


MS ENG. LINE SAFETY VALVE

MODEL NO : **WSL - 5111 (L.P.G)**
WSL - 5211 (NH₃)

MODEL NO : **WSO - 5312**



MATERIAL

NO	PART-NAME	MATERIAL	
		LPG	NH ₃
1	BODY	C3604B	STS 304
2	SOCKET	C3604B	STS 304
3	VALVE DISK	C3604B	STS 304
4	ADJUST SCREW	C3604B	STS 304
5	SPRING	HSW	HSW
6	SPRING DISK	C3604B	STS 304
7	VALVE SEAT	N.B.R	PTFE
8	WASHER	STS 304	STS 304
9	SCREW	STS 304	STS 304

MATERIAL

NO	PART-NAME	MATERIAL
1	BODY	C3604B
2	CAP	C3604B
3	LOCK NUT	C3604B
4	VALVE DISK	C3604B
5	SPRING	STS 304
6	SPRING DISK	C3604B
7	VALVE SEAT	N.B.R

DIMENSION

unit : mm

SIZE	H	D	d	C	A	B	LIFT
8A	90	25	6	14	PT1/4	PT1/4	0.86
15A	107	32	10	18	PT1/2	PT1/2	1.43
20A	129	41	14	22	PT3/4	PT3/4	2
25A	147	45	19	25	PT1	PT1	2.72
40A	167	64	24	30	PT1 1/2	PT1 1/2	3.43

DIMENSION

unit : mm

SIZE	H	D	A
8A	65	6	PT 1/4
10A	75	8	PT 3/8
15A	95	10	PT 1/2
20A	110	14	PT 3/4
25A	122	19	PT 1

※ Remark 1. Material is to be changed in case of NH₃
 2. Please contact us when applying for other gases

※ 참고 1. 암모니아용일 경우 일부 재질을 변경함.
 2. 다른 가스 용도로 사용할 경우 당사로 연락바람.